



HAL
open science

A robust limited-information feedback for a class of uncertain nonlinear systems

Alessio Franci, Antoine Chaillet

► **To cite this version:**

Alessio Franci, Antoine Chaillet. A robust limited-information feedback for a class of uncertain nonlinear systems. 7th Int. Conf. on Informatics in Control, Automation and Robotics, Jun 2010, Madeira, Portugal. pp.1-6. hal-00546730

HAL Id: hal-00546730

<https://hal-centralesupelec.archives-ouvertes.fr/hal-00546730>

Submitted on 14 Dec 2010

HAL is a multi-disciplinary open access archive for the deposit and dissemination of scientific research documents, whether they are published or not. The documents may come from teaching and research institutions in France or abroad, or from public or private research centers.

L'archive ouverte pluridisciplinaire **HAL**, est destinée au dépôt et à la diffusion de documents scientifiques de niveau recherche, publiés ou non, émanant des établissements d'enseignement et de recherche français ou étrangers, des laboratoires publics ou privés.

A ROBUST LIMITED-INFORMATION FEEDBACK FOR A CLASS OF UNCERTAIN NONLINEAR SYSTEMS

Alessio Franci

LSS - Université Paris Sud - Supélec, 3 rue Joliot-Curie, 91192 Gif sur Yvette, France
alessio.franci@lss.supelec.fr

Antoine Chaillet

EECI - LSS - Université Paris Sud - Supélec, 3 rue Joliot-Curie, 91192 Gif sur Yvette, France
antoine.chaillet@supelec.fr

Keywords: Limited-information feedback; robustness; nonlinear systems

Abstract: We propose a variant of the recently introduced strategy for stabilization with limited information recently introduced in (Liberzon and Hespanha, 2005) and analyze its robustness properties. We show that, if the nominal plant can be made Input-to-State Stable (ISS) with respect to measurement errors, parameter uncertainty and exogenous disturbances, then this robustness is preserved with this quantized feedback. More precisely, if a sufficient bandwidth is available on the communication network, then the resulting closed-loop is shown to be semiglobally Input-to-State practically Stable (ISpS).

1 Introduction

The always greater use of digital communication devices for control applications makes quantization a crucial issue. The limitations on the communication rate between the plant sensors and the controller imposes to develop new approaches that are able to guarantee good performance even when only limited information on the plant's state is available. Despite strong technological improvements, the bit rate available for a given control application may indeed be strongly limited due to scalability or energy-saving concerns, or due to harsh environment constraints. Stabilization in this context becomes particularly challenging in presence of model uncertainties, measurement errors or exogenous disturbances.

These observations explain why limited-information control feedback has been widely studied recently: (Nair et al., 2007; Hespanha et al., 2007; Liberzon, 2009) and references therein for representative examples. An important literature already exists for linear systems, (Montestruque and Antsaklis, 2004; Liberzon, 2003; Petersen and Savkin, 2001; Nair and Evans, 2004; Jaglin et al., 2008; Jaglin et al., 2009). In particular, the results of (Liberzon and Nešić, 2007) provide a coding/decoding strategy that achieves Input-to-State Stabilization of quantized linear control systems. The

proposed control strategy relies on a discrete time zoom-in/zoom-out procedure. This construction is based on the *exact* sampled dynamics of the system, or at most on its discrete time approximation. This is why the closed-loop system may lack robustness with respect to parameter uncertainties. These results were subsequently generalized to nonlinear systems in (Kameneva and Nešić, 2008).

In (Sharon and Liberzon, 2007), Input-to-State Stabilization of quantized linear and nonlinear systems is achieved in the framework of continuous time quantized control systems, that is exploiting hybrid dynamics. It is based on a generalization of the dynamic quantization approach developed in (Liberzon and Hespanha, 2005) and (Persis and Isidori, 2004) for ISS and global asymptotically stable systems respectively. For nonlinear systems, this control strategy leads to local ISS. However, model uncertainties can seriously compromise the efficiency of the proposed algorithm and no estimates of the domain of attraction can be obtained in general. We detail these limitation in Section 5.

The purpose of this paper is to propose an alternative dynamic quantization strategy, able to cope with (time-varying) model uncertainties. It is based on a simple and natural modification of the one proposed in (Liberzon and Hespanha, 2005). We show that the quantized control strategy ensures

semiglobal Input-to-State practical Stability. More precisely, any compact set of initial conditions and for any bounded time-varying measurement error, disturbance and model uncertainty, it is possible to achieve the desired robustness properties by properly tuning the controller parameters. On the other hand, practical stability here does not guarantee convergence to the origin for vanishing perturbations, although the size of the stable subset depends on the tuning parameters and can be somewhat reduced, provided a sufficient knowledge on the intensity of the perturbations. The main contributions of our work are the robustness to model uncertainties and its semiglobal characterization for nonlinear systems.

The rest of the paper is organized as follows. In Section 2 we introduce the needed notation. In Section 3 we formally state the problem. In Section 4 we introduce our dynamic quantization strategy. We then present the main results of the paper and comment them in Section 5. In Section 6 we check their application on the illustrative example of a DC motor with nonlinear load. Proofs are given in Section 8.

2 Notation

For a set $A \subset \mathbb{R}$, and $a \in A$, $A_{\geq a}$ denotes the set $\{x \in A : x \geq a\}$. $|x|$ denotes the *infinity norm* of the vector x , that is, if $x \in \mathbb{R}^n$, $|x| := \max_{i=1, \dots, n} |x_i|$. $B(x, R)$ refers to the closed ball of radius R centered at x in this norm, i.e. $B(x, R) := \{z \in \mathbb{R}^n : |x - z| \leq R\}$. $\|x\|$ is the *infinity norm* of the signal $x(\cdot)$, that is, if $x : \mathbb{R}_{\geq 0} \rightarrow \mathbb{R}^n$, $\|x\| = \text{esssup}_{t \geq 0} |x(t)|$. A continuous function $\alpha : \mathbb{R}_{\geq 0} \rightarrow \mathbb{R}_{\geq 0}$ is said to be of class \mathcal{K} if it is increasing and $\alpha(0) = 0$. It is said to be of class \mathcal{K}_∞ if it is of class \mathcal{K} and $\alpha(s) \rightarrow \infty$ as $s \rightarrow \infty$. A function $\beta : \mathbb{R}_{\geq 0} \times \mathbb{R}_{\geq 0} \rightarrow \mathbb{R}_{\geq 0}$ is said to be of class \mathcal{KL} if $\beta(\cdot, t) \in \mathcal{K}$ for any fixed $t \geq 0$ and $\beta(s, \cdot)$ is continuous, decreasing and tends to zero at infinity for any fixed $s \geq 0$.

3 Problem statement

We are interested in the robustness properties of nonlinear plants of the form

$$\dot{x} = f(x, \mu, u, d), \quad (1)$$

where $x \in \mathbb{R}^n$ is the state, $f : \mathbb{R}^n \times \mathbb{R}^p \times \mathbb{R}^m \times \mathbb{R}^h \rightarrow \mathbb{R}^n$ is a locally Lipschitz function, $\mu : \mathbb{R}_{\geq 0} \rightarrow \mathcal{P} \subset \mathbb{R}^p$ is a vector of (possibly time-varying) parameters, $u : \mathbb{R}_{\geq 0} \rightarrow \mathbb{R}^m$ is a control input and $d : \mathbb{R}_{\geq 0} \rightarrow \mathcal{D} \subset \mathbb{R}^h$ is a vector of measurable and locally essentially bounded exogenous perturbations. We assume that $f(0, \mu, 0, 0) = 0$ for all $\mu \in \mathcal{P}$.

Limited-information feedback imposes that only an estimate of the state is available to the controller.

This estimate is elaborated based on an encoded measurement of the actual state. This encoded symbol is then sent over the communication channel. The communication channel is defined by its constant sampling period τ and by the number of symbols N^n , $N \in \mathbb{N}_{>0}$, that can be transmitted at each sampling time $k\tau$, $k \in \mathbb{N}$. We will assume, in this paper, that the communication channel is noiseless and delay-free. The overall structure of the controlled systems can be summarized by Figure 1.

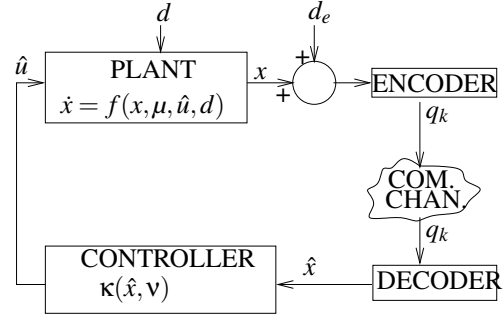


Figure 1: Limited information feedback with exogenous perturbations, measurement errors and uncertainties.

At each reception of a symbol, that is, at each time instant $k\tau$, $k \in \mathbb{N}$, the decoder computes the state estimate that will be used in the applied feedback law. The decoding is necessarily imprecise due to the limited bandwidth of the channel. This imprecision is reinforced by the uncertainty on the plant parameter μ , by the presence of exogenous disturbances d and by the possible measurement errors d_e . We assume that only a *constant*¹ approximation $v \in \mathcal{P}$ of the (possibly time-varying) parameter vector μ is available and define $\mu - v =: d_p \in \mathbb{R}^p$ as the parameter uncertainty. Our first assumption imposes that, without communication constraints, the plant (1) can be stabilized by a state-feedback law that makes it ISS with respect to exogenous disturbances, parameter uncertainties and measurement errors.

Assumption 1 (ISS of the nominal plant) *There exists a continuous feedback law $\kappa : \mathbb{R}^n \times \mathbb{R}^p \rightarrow \mathbb{R}^m$, a continuously differentiable function $V : \mathbb{R}^n \rightarrow \mathbb{R}$ and class \mathcal{K}_∞ functions $\underline{\alpha}, \bar{\alpha}, \alpha, \chi, \Gamma, \gamma$ such that, for all $x \in \mathbb{R}^n$, $d \in \mathcal{D}$, $d_p \in \mathcal{P}$ and $d_e \in \mathbb{R}^n$,*

$$\underline{\alpha}(|x|) \leq V(x) \leq \bar{\alpha}(|x|),$$

$$|x| \geq \chi(|d|) + \Gamma(|d_p|) + \gamma(|d_e|) \Rightarrow \quad (2a)$$

$$\frac{\partial V}{\partial x} f(x, \mu, \kappa(x + d_e, \mu + d_p), d) \leq -\alpha(|x|). \quad (2b)$$

¹In a second stage one may think of implementing an adaptive control strategy.

Based on the Lyapunov characterization of ISS systems (Sontag and Wang, 1995), condition (2) is equivalent to ISS of (1) with respect to d , d_e , d_p (at least locally as far as d and d_p are concerned). Assumption 1 therefore constitutes a strong requirement, but the following remarks may help establishing it in some particular contexts.

Remark 1 (Systems in strict feedback form) *For all systems in strict feedback form it is possible to achieve conditions of Assumption 1. Indeed, backstepping allows to iteratively make each subsystem ISS with respect to (d, d_p, d_e) , using part of the state as a “virtual” control input. See (Freeman and Kokotovich, 1993) for details.*

Remark 2 (Globally Lipschitz systems) *The conditions of Assumption 1 can be achieved for all systems which can be stabilized by a globally Lipschitz state feedback that makes it ISS with respect to actuation errors. Indeed if \mathcal{L} denotes the global Lipschitz constant of the nominal control law κ , then the effects due to parameter uncertainties d_p and measurement errors d_e can be described explicitly as an input disturbance \tilde{d} satisfying $|\tilde{d}| \leq \mathcal{L}|d_p| + \mathcal{L}|d_e|$. Hence, if $\gamma \in \mathcal{K}_\infty$ is the ISS gain, the presence of measurement errors and parameter uncertainties simply adds $\gamma(|\tilde{d}|) \leq \gamma(2\mathcal{L}|d_p|) + \gamma(2\mathcal{L}|d_e|)$ to the solution estimate of the closed-loop solutions, hence proving ISS with respect to (d_p, d_e) . Note that all systems which can be made ISS by differentiable bounded control trivially satisfy this global Lipschitz condition. Cf. e.g. (A.Isidori, 1999, Chapters 12,13,14)◁*

4 Quantized controller

In this section, we extend the encoding-decoding procedure presented in (Liberzon and Hespanha, 2005) and (Persis and Isidori, 2004) to take into account exogenous disturbances, measurement errors and parameter uncertainties. We assume that measurement errors are bounded by some constant $E > 0$ such that

$$\|d_e\| \leq E. \quad (3)$$

4.1 Quantization region

Given an estimate \hat{x} of the actual state x , the quantization region Q is defined by its centroid \hat{x} and its radius $L > 0$ as

$$Q := B(\hat{x}, L).$$

Due to measurement errors, the information available to the encoder about the system state, *i.e.* $x + d_e$, belongs to the quantization region Q if and only if the

estimation error $e := x - \hat{x} + d_e$ is small enough, that is $|e| \leq |x - \hat{x}| + |E| \leq L$. Note that the presence of the estimation error e results from the combined effects of quantization ($x - \hat{x}$) and measurement errors (d_e). Given the number N^n of symbols that can be transmitted through the communication channel, we partition the quantization region into N^n identical hypercubes. Q is then updated according to the encoding-decoding procedure described below.

4.2 Dynamics of the encoder

At each step $k \in \mathbb{N}$, the *centroid update law* is given by the following hybrid dynamics

$$\dot{\hat{x}} = f(\hat{x}, \mathbf{v}, \kappa(\hat{x}, \mathbf{v}), 0), \quad (4a)$$

$$\forall t \in [k\tau, (k+1)\tau),$$

$$\hat{x}(k\tau) = \hat{c}(k\tau), \quad k \neq 0, \quad (4b)$$

$$\hat{x}(0^-) = 0, \quad (4c)$$

where $\hat{c}(k\tau)$ is the centroid of the sub-region of $Q(k\tau)$ in which $x(k\tau) + d_e$ lies. This sub-region is identified by the variable q_k , which constitutes the output of the encoder. In other words, $q_k \in \mathbb{N}_{\leq N^n}$ denotes the index of the sub-region of $Q(k\tau)$ to which $x(k\tau) + d_e$ belongs. Then, given some $\Lambda > 1$ (we will make it precise in the sequel) and any ball of initial conditions $B(0, \Delta)$ with $\Delta > 0$, the *radius update law* is given, at each step $k \in \mathbb{N}$, by the following dynamics

$$L((k+1)\tau) = \Lambda \left(\frac{L(k\tau)}{N} + E \right) + E, \quad (5a)$$

$$L(0) = \Delta + E. \quad (5b)$$

This radius update law is a natural extension of the algorithms proposed in (Liberzon and Hespanha, 2005; Persis and Isidori, 2004). It takes into account possible measurement errors. We will show in the sequel (cf. Claim 2) that such a dynamics leads to a sequence $\{L(k\tau)\}_{k \in \mathbb{N}}$ that decreases up to a constant depending on E , Λ and N . This in turn imposes a decrease of the estimation error, modulo the measurement errors, as long as dynamics (5) applies. The idea behind this dynamics can be roughly summarized as follows. The parameter $\Lambda > 1$ accounts for the expansiveness between sampling times. The constant E appearing inside the brackets of (5a) accounts for the case in which the encoder individuates a wrong sub-region due to measurements errors. In such a situation the error between the real and the measured state is indeed less than the size of the sub-region, $L(k\tau)/N$, plus the measurement error. The second E appearing in (5a) prevents the measured state from falling out of the quantization region while the real one is inside.

Note that, as long as $x(k\tau) + d_e$ lies in $Q(k\tau)$, the estimation error satisfies $|e(k\tau)| \leq \bar{e}(k\tau)$, where

$$\bar{e}(k\tau) := \frac{L(k\tau)}{N} + E, \quad \forall k \in \mathbb{N}, \quad (6)$$

is the *maximum quantization error*. Hence, at each sampling time, the quantization procedure individuates a hypercube $B(\hat{x}(k\tau), \bar{e}(k\tau))$ to which $x(k\tau)$ belongs, provided that $x(k\tau) + d_e \in Q(k\tau)$.

However, due to uncertainties and disturbances, it may happen that $x(k\tau) + d_e$ falls out of the quantization region anyway. Indeed, the expansion factor Λ in (5a) ensures that the updated quantization region is large enough to contain the measured state only if the quantization error is large compared to the disturbances (see the proof of Theorem 1 for details). This situation is defined as an *overflow*. It is represented by the symbol $q_k = 0$. In particular, as detailed in the proof of Theorem 1, an overflow can happen at time $(k+1)\tau$ only if the maximum quantization error (6) at time $k\tau$ is strictly smaller than the size of perturbations and uncertainties. If an overflow occurs at the k_0 th sampling time, $k_0 \in \mathbb{N}_{>0}$, the encoder updates the quantization region as follows:

$$\hat{x}(k_0\tau) = \hat{x}(k_0\tau^-), \quad (7a)$$

$$L((k_0+1)\tau) = \Lambda(\bar{E} + E) + E, \quad (7b)$$

where $\bar{E} \in \mathbb{R}_{>0}$ will be defined later on. This means that the hypercube individuated by the quantization procedure (to which $x(k\tau)$ belongs, is no longer $B(\hat{x}(k\tau), \frac{L(k\tau)}{N} + E)$, but rather $B(\hat{x}(k\tau), \bar{E} + E)$, while the rest of the update law remains as in (4),(5).

4.3 Dynamics of the decoder

By implementing the same evolution laws as (4),(5),(7), the decoder is able to reconstruct the evolution of the state estimate \hat{x} from the knowledge of $\{q_k\}_{k \in \mathbb{N}}$.

4.4 Controller

Inspired by the principle of certainty equivalence, and in view of Assumption 1, the applied control input is given by

$$\hat{u}(t) = \kappa(\hat{x}(t), v), \quad (8)$$

where $\hat{x}(\cdot)$ is given by (4),(5),(7).

5 Main Results

Our first result establishes robustness properties of the closed-loop system with the proposed limited-

information feedback in the case the number of transmittable bits is fixed and the sampling period can be adjusted arbitrarily.

Theorem 1 (Fixed N) *Let Assumption 1 hold for the system (1). Then, there exist class \mathcal{K}_∞ functions $\bar{\chi}, \bar{\Gamma}, \bar{\gamma}$ and, given any compact sets $\mathcal{P} \subset \mathbb{R}^p$ and $\mathcal{D} \subset \mathbb{R}^d$, any constant $\Delta \in \mathbb{R}_{>0}$ and any $N \in \mathbb{N}_{>1}$, there exist positive constants $\tau, \Lambda, \bar{E}, E$ and a class \mathcal{KL} function β such that the trajectories of the closed-loop system*

$$\dot{x} = f(x, \mu, \hat{u}, d), \quad (9)$$

where $\hat{u}(t)$ is the output of the digital controller defined by (4),(5), (7),(8), satisfy, for all $x(0) \in B(0, \Delta)$, all $v \in \mathcal{P}$, all $\mu : \mathbb{R}_{\geq 0} \rightarrow \mathcal{P}$, all $d : \mathbb{R}_{\geq 0} \rightarrow \mathcal{D}$ and all $d_e : \mathbb{R}_{\geq 0} \rightarrow B(0, E)$,

$$|x(t)| \leq \bar{\beta}(\Delta, t) + \bar{\chi}(\|d\|) + \bar{\Gamma}(\|\mu - v\|) + \delta, \quad (10)$$

where $\delta := \bar{\gamma} \left(\Lambda(\bar{E} + E) + \left(2 + \frac{\Lambda+1}{1-\Lambda} \right) E \right)$.

Theorem 1 states that (9) is semiglobally ISpS (Input-to-State practically Stable) in the sense of (Jiang et al., 1994) with the proposed quantized control strategy. Our proof, provided in Section 8.1, is constructive. The utilized bit-rate, given by $\frac{\log_2(N^m)}{\tau}$, is fixed by the condition that quantization resolution, given by N^{-1} , is small enough to compensate for the expansiveness of the system between sampling times Λ . An upper bound on this expansiveness expressed in terms of the (local) Lipschitz constant of the system \mathcal{L} , is given by

$$\Lambda := e^{\mathcal{L}\tau}.$$

Based on the size of the initial conditions Δ , our control strategy permits to build a forward invariant region where the constant \mathcal{L} can be computed (cf. Claim 1 below). The explicit condition on the data rate used in the proof is then given by

$$\Lambda N^{-1} < 1.$$

It is interesting to note that the required data-rate is the same as in (Liberzon and Hespanha, 2005), modulo the size of the constructed forward invariant region.

The comparison functions involved in (10) can be explicitly given

$$\bar{\beta}(\cdot, t) = \underline{\alpha}^{-1}(\bar{\alpha}(2\gamma(\cdot)\gamma(e^{-\lambda t}))),$$

$$\bar{\chi}(\cdot) = \underline{\alpha}^{-1}(\bar{\alpha}(4\chi(\cdot))),$$

$$\bar{\Gamma}(\cdot) = \underline{\alpha}^{-1}(\bar{\alpha}(8\Gamma(\cdot))),$$

$$\bar{\gamma}(\cdot) = \underline{\alpha}^{-1}(\bar{\alpha}(8\gamma(\cdot))).$$

where $\lambda := -\frac{1}{\tau} \ln(\frac{\Lambda}{N})$, and the \mathcal{K}_∞ functions $\underline{\alpha}, \bar{\alpha}, \gamma, \chi$ and Γ are defined as in Assumption 1. We note that, since the function $\bar{\chi}$ does not depend on the parameters of the of the controller, but only on the nominal

comparison functions introduced in Assumption 1, it is possible for a class of control and disturbance affine systems to find a continuous feedback law for any desired ISS attenuation gain $\bar{\chi}$ (Praly and Wang, 1996; Teel and Praly, 1998).

Due to the particular design of the encoding-decoding procedure, measurement errors no longer appear as an input. Indeed, their effects are embedded in the last term of (10), which depends only on the parameters of the digital controller. As already anticipated, the constant Λ is an estimate of the expansion of the system between two successive sampling times. On the other hand, the constants \bar{E} and E are proportional to the upper bound on the size of disturbances-uncertainties and measurement errors, respectively. In particular E is defined in (3) and

$$\bar{E} = \Lambda \max \left\{ \sup_{\mu, \nu \in \mathcal{P}} |\mu - \nu|, \sup_{d \in \mathcal{D}} |d| \right\}.$$

Hence, the last term in (10), which constitutes an upper bound to the steady-state error, is a continuous function of the known upper bound on the size of exogenous disturbances, that vanishes at zero. This guarantees that the steady-state error is small if disturbances are small, provided a sufficient knowledge of the plant. Moreover, when no perturbations apply, we recover the exact same result as (Liberzon and Hespanha, 2005).

Robustness to model uncertainties is the main contribution of this work if compared to the existing representative examples in the literature ((Kameneva and Nešić, 2008) and (Sharon and Liberzon, 2007)). In (Kameneva and Nešić, 2008) this lack of robustness is due to the digital nature of the controller, which is based on the *exact* dynamics or at most on its discrete time approximation (cf. Equation (2) in that reference). In (Sharon and Liberzon, 2007) this possible lack of robustness comes from the fact that ISS of the quantized closed-loop system is achieved through a cascade reasoning from the quantization error (which is ISS with respect to external disturbances thanks to the particular encoding/decoding strategy) to the system's state (which is ISS by hypothesis). This is possible because the evolution of the quantization error is shown to be independent from both the controller's and the system's state (cf. Equation (12) in that reference). This is no longer achievable if one introduces parametric uncertainties, as the state of the controller is fed back in the evolution equation of the quantization error. However, it would be interesting to study if this lack of robustness persists if under Assumption 1. Then, it would be worth comparing the "gains" given by the different methods. These studies are not presented here.

Another contribution compared to (Sharon and Liberzon, 2007) is the non-local characterization of robustness, which turns out to be semiglobal. In the statement of Theorem 2 in that reference, which gives an extension of the proposed algorithm to nonlinear systems, the admissible set of initial conditions and external disturbances are built starting from the \mathcal{K}_∞ functions $\bar{\beta}_{cl}$ and $\bar{\gamma}_{cl}$, whose explicit expression depends on the Lipschitz constant of the system (cf. proof of Theorem 1 in that reference). Indeed, given a region where to define the Lipschitz constant ($|x| < l_x$ and $|w| < l_w$), it is possible to find the size of the ball of admissible initial conditions Δ and allowed disturbances ε by satisfying the two relations $\bar{\beta}_{cl}(\delta) + \bar{\gamma}(\varepsilon) < l_x$ and $\varepsilon < l_w$. It follows that the value of Δ and ε cannot be chosen *a priori*, and may result impossible to be arbitrarily enlarged, depending on the explicit expression of the two \mathcal{K}_∞ functions $\bar{\beta}_{cl}$ and $\bar{\gamma}_{cl}$. On the other hand, given a compact set of initial conditions and a bound on the size of exogenous disturbances, it is not possible either to build the \mathcal{K}_∞ functions used in the statement of the theorem, as it is not possible to build an "overshoot" region in which the Lipschitz constant would be defined. These observations show that in (Sharon and Liberzon, 2007) the extension to nonlinear systems is only local. In this paper we give a constructive way to build the overshoot region starting from an arbitrary ball of initial conditions and an arbitrary size for the exogenous disturbances.

However, considering the superior performances in the steady-state error of the algorithm proposed in (Sharon and Liberzon, 2007) (ISS instead of ISpS), one may think of implementing some switching strategy between the two methods to benefit from the advantages of each procedure. In a first step the state would be estimated with the algorithm proposed here even in the case of parametric uncertainties. In a second time, once the parameters of the systems have been identified and the state has entered a sufficiently small region around the origin, one would switch to the algorithm proposed in (Sharon and Liberzon, 2007).

In case of overflow, the size of quantization region is set to $\Lambda(\bar{E} + E) + E$ (cf. (7)). It may happen, in particular for large sampling periods or highly nonlinear systems, that Λ gets big. In this case, the quantization error may become very large as \bar{E} depends linearly on Λ (cf. (21)), leading to a drop in performances. This can be easily avoided by using a suitable E in the encoding-decoding procedure. Indeed it follows from Claim 2 (see below) that, as long as no overflow occurs, the size of the quantization region converges

to

$$Q_\infty := \sigma_\infty E,$$

where σ_∞ denotes a positive constant (see (23) below). It follows that the maximum quantization error (6) converges from above to

$$\bar{e}_\infty = \left(\frac{\sigma_\infty}{N} + 1 \right) E. \quad (12)$$

As we show in the sequel (cf. (19)) an overflow can occur only if the maximum quantization error gets smaller than some constant $\bar{\eta}$ (defined in (16)), which denotes an upper bound on the size of perturbations and uncertainties. In other words, it suffices to set E such that

$$\bar{e}_\infty \geq \bar{\eta} \quad (13)$$

to avoid overflows. We then have the following theorem, whose proof follows directly from that of Theorem 1, together with Equations (12) and (13).

Theorem 2 (Fixed N - no overflows) *Under the assumptions of Theorem 1, the design parameters $\tau, \Lambda, \bar{E}, E$ can be picked in such a way that (10) holds with $\delta = \bar{\gamma} \left(\left(1 + \frac{\Lambda+1}{1-\frac{1}{N}} \right) E \right)$.*

We point out that the size of the steady state error δ defined in Theorem 2 can be either larger or smaller than the one obtained in Theorem 1, depending on the parameters involved.

We finally state a similar result for the case when the sampling period is imposed by technological constraints and we can only adjust the number of transmittable bits. In this context, it appears that, due to the presence of exogenous perturbations, τ cannot be chosen arbitrarily large, as it happens in the ideal case (cf. (Liberzon and Hespanha, 2005)). This fact is detailed in the proof, given in Section 8.4.

Theorem 3 (Fixed sampling period) *Let Assumption 1 hold for the system (1). Then, there exist class \mathcal{K}_∞ functions $\bar{\chi}, \bar{\Gamma}, \bar{\gamma}$ and, given any compact sets $\mathcal{P} \subset \mathbb{R}^p$, $\mathcal{D} \subset \mathbb{R}^d$ and any $\Delta \in \mathbb{R}_{>0}$, there exists a time $\tau_{max} \in \mathbb{R}_{>0}$ such that, for all $\tau \in (0, \tau_{max})$, there exist positive constants N, Λ, \bar{E}, E and a class \mathcal{KL} function β such that trajectories of the closed-loop system (9), where $\hat{u}(t)$ is the output of the digital controller defined by equations (4),(5), (7),(8), satisfy (10) for all $x(0) \in B(0, \Delta)$, all $v \in \mathcal{P}$, all $\mu : \mathbb{R}_{\geq 0} \rightarrow \mathcal{P}$, all $d : \mathbb{R}_{\geq 0} \rightarrow \mathcal{D}$ and all $d_e : \mathbb{R}_{\geq 0} \rightarrow B(0, E)$. That is, (9) is semiglobally ISpS.*

We stress that the functions involved in the trajectories estimate of this result are the same as for Theorem 1.

Remark 3 *Theorems 1, 2 and 3 can be easily generalized to non-constant sampling periods, provided that the time between two samples does not exceed the value τ defined in the above statements. \triangleleft*

6 Illustrative Example

We check the application of our strategy on the control of a model of a DC motor with a load modeled as a nonlinear torque. The uncertainty on the load is modeled by unknown time-varying variables μ and d_1 . Actuator errors are represented by an exogenous disturbance d_2 :

$$\begin{aligned} \dot{x}_1 &= x_2 + \mu x_1^3 + d_1 \\ \dot{x}_2 &= u + d_2. \end{aligned}$$

For the needs of the numerical simulations, we have chosen $\mu(t) = 1 + P \sin(t)$, $d_1(t) = D \sin(t)$ and $d_2(t) = D \cos(t)$. At each sampling time the measurement available to the encoder is perturbed by the measurement error $d_e(t) = E(\sin(t), \cos(t))^T$. The system being in strict feedback form, we follow (Freeman and Kokotovich, 1993) to construct a continuous ISS feedback law. We assume that only 2 bytes can be transmitted at each sampling time. Our aim is to stabilize every solution starting in $B(0, 10)$ (i.e. $\Delta = 10$) assuming the following values for the perturbation amplitudes, $P = 0.5$, $D = 1.0$, $E = 0.1$. Note that this correspond to a 50% uncertainty on the load parameter. Our control scheme with parameters $\tau = 0.1s$, $\Lambda = 64$, $\bar{E} = 64$, E and $v = 1$ successfully stabilizes the system (cf. Figure 2).

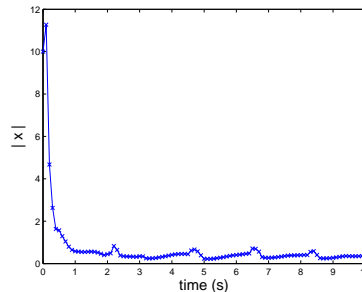


Figure 2: Evolution of the norm of the state from $x(0) = [-10, -10]$.

Since $E > 0$, the size of the quantization region remains sufficiently large (i.e. $\bar{e}_\infty \geq \bar{\eta}$, cf. (13)) and no overflow occurs, as stated by Theorem 2. If an overflow had occurred then the size of the quantization region would have jumped to $\Lambda(\bar{E} + E) + E$ (cf. (7)), leading to a big drop in performances. This illustrates the fact that, even when no measurement error applies, setting an appropriate $E > 0$ may be very profitable in practice.

For $\Delta = 5$, and the same parameters, the sampling period can be taken as large as 0.3s. We point out that the good performance of our strategy are also due to the ISS characteristics of the feedback strategy provided in (Freeman and Kokotovich, 1993).

In conclusion, with only two bytes, with a sampling period of the order of the plant's time scale, and with disturbances magnitude of the order of the nominal controlled dynamics values, our proposed approach succeeds in stabilizing the system, with a steady-state error of the same magnitude as the perturbations.

7 Conclusion

The proposed strategy for limited-information feedback control of nonlinear plants is shown to be robust to exogenous disturbances and measurement errors, even in presence of parametric uncertainty. Its application is illustrated by the numerical simulation of a DC motor control. Possible future extensions concern *output* feedback (see (Sharon and Liberzon, 2008) for a representative example) and robustness to delays.

8 Proof of the main results

8.1 Proof of Theorem 1

Contraction of the quantization region: Suppose there are no measurement errors, i.e. $E = 0$. Then we want the estimation error to decrease as long as no overflow occurs, that is, as long as $x(k\tau) \in Q(k\tau)$, we impose $L(k\tau) < L((k-1)\tau)$. This means, in view of (5), that

$$\frac{\Lambda}{N} < 1. \quad (15)$$

Divergence between sampling times: During the time intervals separating two consecutive sampling times, the estimation error may increase. To evaluate this expansion, let us assume that a number $\hat{W} > 0$ is known² such that $x(t) + d_e \in B(0, \hat{W})$ and $\hat{x}(t) \in B(0, \hat{W})$ for all $t \geq 0$. In this case, it results from the continuity of κ that, for all $t \geq 0$, $|\hat{u}(t)| \leq \max_{\hat{x} \in B(0, \hat{W}), v \in \mathcal{P}} |\kappa(\hat{x}, v)| =: U < \infty$. Let $\mathcal{L}(\hat{W})$ be the Lipschitz constant of f over the region $\{(x, \mu, u, d) \in \mathbb{R}^{n+p+m+h} : |x| \leq \hat{W}, \mu \in \mathcal{P}, |u| \leq U, d \in \mathcal{D}\}$, then, in view of (4) and exploiting the Bellman-Gronwell Lemma, it holds that, for all $x, \hat{x} \in B(0, \hat{W})$, $\frac{d}{dt}|e(t)| \leq |f(x, \mu(t), \hat{u}, d(t)) - f(\hat{x}, v, \hat{u}, 0)| \leq \mathcal{L}(\hat{W}) \max\{|e(t)|, \eta(t)\}$, where $\eta(t) = \max\{|\mu(t) - v|, |d(t)|\}$. Note that $\eta(t) \leq \bar{\eta}$, where

$$\bar{\eta} = \max \left\{ \sup_{\mu', v' \in \mathcal{P}} |\mu' - v'|, \sup_{d' \in \mathcal{D}} |d'| \right\}. \quad (16)$$

²We will demonstrate the existence of such \hat{W} , by constructing it, in the sequel (cf. Claim 1).

Hence, it holds that, for all $t \neq k\tau, k \in \mathbb{N}$,
 $|e(t)| \geq \eta(t) \Rightarrow \frac{d}{dt}|e(t)| = \mathcal{L}(\hat{W})|e(t)|$, and
 $|e(t)| < \eta(t) \Rightarrow \frac{d}{dt}|e(t)| = \mathcal{L}(\hat{W})\eta(t)$.

By the fact that $|e(0)|e^{\mathcal{L}(\hat{W})t} < |e(0)| + \bar{\eta}\mathcal{L}(\hat{W})t$ only if $|e(0)| < \bar{\eta} \frac{\mathcal{L}(\hat{W})t}{e^{\mathcal{L}(\hat{W})t} - 1} \leq \bar{\eta}$, it follows that, for all $t \in [0, \tau]$,

$$|e(0)| \geq \bar{\eta} \Rightarrow |e(t)| \leq |e(0)|e^{\mathcal{L}(\hat{W})t}. \quad (17)$$

Defining $\Lambda = e^{\mathcal{L}(\hat{W})\tau}$, we can give a natural interpretation to (5). The constant N^{-1} describes the effect of measuring the state, which individuates a smaller hypercube to which the state belongs, while Λ describes the increase in the size of this hypercube during the time before the next sampling to make sure the state belongs to the new quantization region. Recalling that $|e(k\tau)| \leq \bar{e}(k\tau)$ for all $k \in \mathbb{N}$, we claim that

$$\bar{e}(k\tau) \geq \bar{\eta} \Rightarrow |e((k+1)\tau^-)| \leq \Lambda \bar{e}(k\tau), \quad (18)$$

that is $x((k+1)\tau) \in Q((k+1)\tau)$ and, consequently, $q_{k+1} > 0$ (i.e. no overflow at step $k+1$). Indeed, note that if $\bar{\eta} \leq |e(k\tau)| \leq \bar{e}(k\tau)$, then (18) follows from (17), while, if $|e(k\tau)| < \bar{\eta}$, there exists $\tilde{t} := \min\{t \geq 0 : |e(k\tau)| + \bar{\eta}\mathcal{L}(\hat{W})t \geq \bar{\eta}\}$. If $\tilde{t} \geq \tau$ then $|e((k+1)\tau^-)| < \bar{\eta} < \Lambda \bar{e}(k\tau)$, while, if $\tilde{t} < \tau$, then, by (17), $|e((k+1)\tau^-)| \leq \bar{\eta}e^{(\tau-\tilde{t})\mathcal{L}(\hat{W})} < \Lambda \bar{\eta} \leq \Lambda \bar{e}(k\tau)$, which shows (18).

Furthermore, by reversing (18), we obtain that $|e((k+1)\tau^-)| > \Lambda \bar{e}(k\tau)$ only if $\bar{e}(k\tau) < \bar{\eta}$, that is, defining $E = \sup_{d_e \in \mathcal{E}} |d_e|$, $|e((k+1)\tau^-)| + E > L((k+1)\tau)$ only if $\bar{e}(k\tau) < \bar{\eta}$, which implies that an overflow may occur only when the maximum quantization error (6) is below the bound $\bar{\eta}$:

$$q_{k+1} = 0 \Rightarrow \bar{e}(k\tau) < \bar{\eta}. \quad (19)$$

Moreover, we establish the following upper bound on the size of the estimation error right before an overflow:

$$q_{k+1} = 0 \Rightarrow |e((k+1)\tau^-)| < \Lambda \bar{\eta}. \quad (20)$$

Note that, from (19), there exists a time $\tilde{t}' := \min\{t > 0 : |e(k\tau)| + \bar{\eta}\mathcal{L}(\hat{W})t \geq \bar{\eta}\}$. If $\tilde{t}' \geq \tau$ then $|e((k+1)\tau^-)| \leq \bar{\eta} < \Lambda \bar{\eta}$. On the other hand, if $\tilde{t}' < \tau$ then, by (17), $|e((k+1)\tau^-)| \leq \bar{\eta}e^{(\tau-\tilde{t}')\mathcal{L}(\hat{W})} < \Lambda \bar{\eta}$, which establishes (20).

Trajectory boundedness: Fix any $\Lambda > 1$ and let

$$\bar{E} = \Lambda \bar{\eta}. \quad (21)$$

By equation (20) and as long as $x(t) + d_e \in B(0, \hat{W})$, this implies that, in the eventuality of an overflow at time $k_0\tau$ (i.e. $q_{k_0} = 0$),

$$x(k_0\tau), x(k_0\tau) + d_e \in B(\hat{x}(k_0\tau), \bar{E} + E), \quad (22)$$

In view of (19) and (7), this implies that $x((k_0 + 1)\tau) \in Q((k_0 + 1)\tau)$, that is $q_{k_0+1} > 0$. This means that it is not possible to have two successive overflows.

Let $\Omega_c := \{x \in \mathbb{R}^n : V(x) \leq c\}$, where

$$c = \bar{\alpha} \left(\chi(\sup_{d' \in \mathcal{D}} |d'|) + \Gamma(\sup_{\mu', \nu' \in \mathcal{P}} |\mu' - \nu'|) + \gamma(\max \{\Delta + E + \sigma_\infty E, \Lambda(\bar{E} + E) + E\}) \right),$$

where σ_∞ is defined as

$$\sigma_\infty := (\Lambda + 1)N / (N - \Lambda). \quad (23)$$

Let

$$\hat{W} := W + \max \{\Delta + E + \sigma_\infty E, \Lambda(\bar{E} + E) + E\}, \quad (24)$$

$$W := \max \{\Delta, \sup_{x, z \in \Omega_c} |x - z|\}, \quad (25)$$

and pick the sampling period τ as $\tau = \frac{\ln(\Lambda)}{L(\hat{W})}$. We prove the following in Sections 8.2 and 8.3 respectively.

Claim 1 *The solutions of the closed-loop system satisfy $|x(t)| \leq W$, $|\hat{x}(t)| \leq \hat{W}$, $\forall t \geq 0$.*

Claim 2 *As long as no overflow occurs, it holds that $|e(t)| \leq e^{-\lambda t} L(0) + \sigma_\infty E$, where $\lambda = -\frac{1}{\tau} \ln \left(\frac{\Lambda}{N} \right)$*

Conclusion: From the proof Claim 1, it results that, for all $t \geq 0$, $|e(t)| \leq \max \{(\Delta + E)e^{-\lambda t} + \sigma_\infty E, \Lambda(\bar{E} + E) + E\} \leq \Delta e^{-\lambda t} + \Lambda(\bar{E} + E) + (2 + \sigma_\infty)E$, $\forall t \geq 0$. From Assumption 1, this implies that the trajectories of the closed loop system (9), with parameters $\{N, \tau, \Lambda, \bar{E}, \nu, E\}$, satisfy

$$|x(t)| \leq \underline{\alpha}^{-1} \left(\bar{\alpha} \left(\gamma(\Delta e^{-\lambda t}) + \chi(\|d\|) + \Gamma(\|\mu - \nu\|) + \gamma(\Lambda(\bar{E} + E) + (2 + \sigma_\infty)E) \right) \right),$$

for all $x(0) \in B(0, \Delta)$, all $\nu \in \mathcal{P}$, all $\mu : \mathbb{R}_{\geq 0} \rightarrow \mathcal{P}$, all $d : \mathbb{R}_{\geq 0} \rightarrow \mathcal{D}$ and all $d_e : \mathbb{R}_{\geq 0} \rightarrow B(0, E)$. From this and from the fact that $\sigma(a + b) \leq \sigma(2a) + \sigma(2b)$ for all nondecreasing function σ and all $a, b \geq 0$, the theorem is proved with

$$\bar{\beta}(\cdot, t) = \underline{\alpha}^{-1}(\bar{\alpha}(2\gamma(\cdot)\gamma(e^{-\lambda t}))) \quad (26a)$$

$$\bar{\chi}(\cdot) = \underline{\alpha}^{-1}(\bar{\alpha}(4\chi(\cdot))) \quad (26b)$$

$$\bar{\Gamma}(\cdot) = \underline{\alpha}^{-1}(\bar{\alpha}(8\Gamma(\cdot))) \quad (26c)$$

$$\bar{\gamma}(\cdot) = \underline{\alpha}^{-1}(\bar{\alpha}(8\gamma(\cdot))). \quad (26d)$$

8.2 Proof of Claim 1

Let $\Theta := \inf\{t \in \mathbb{R}_{>0} : |x(t)| > W \text{ or } |\hat{x}(t)| > \hat{W}\}$. This time is well defined as $|x(0)| \leq \Delta \leq W$ and, from the fact that $q_0 > 0$ by construction, $\hat{x}(0) \in B(0, \Delta + E) \subset B(0, \hat{W})$. For all $t \in [0, \Theta)$, $\mathcal{L}(\hat{W})$ can be correctly interpreted as an upper bound on the expansion of the system. In particular, Claim 2, (19) and (20) hold for all $t \in [0, \Theta)$.

Define $k_0\tau$ as the time of the first overflow. Then, by Claim 2, it holds that, for all $t \in [0, \min(\Theta, (k_0 - 1)\tau))$, $|e(t)| < L(0)e^{-\lambda t} + \sigma_\infty E \leq \Delta + E + \sigma_\infty E$, where $\lambda = \frac{\ln(\frac{\Lambda}{N})}{\tau}$.

If $\Theta < (k_0 - 1)\tau$, then, from Assumption 1 and (A.Isidori, 1999, Section 10.4), it results that the set $\Omega_{\tilde{c}} = \{x \in \mathbb{R}^n : V(x) \leq \tilde{c}\}$, where $\tilde{c} := \bar{\alpha}(\chi(\sup_{d' \in \mathcal{D}} |d'|) + \Gamma(\sup_{\mu', \nu' \in \mathcal{P}} |\mu' - \nu'|) + \gamma(\Delta + E + \sigma_\infty E))$, is an invariant attractive set, and, noting that $\tilde{c} \leq c$, it follows that $\Omega_{\tilde{c}} \subseteq \Omega_c$, which, by the definition of W in (25), implies $|x(t)| \leq W$ for all $t \in [0, \Theta]$. This in turn ensures that $\sup_{t \in [0, \Theta]} |\hat{x}(t)| \leq W + \sup_{t \in [0, \Theta]} |e(t)| \leq W + \Delta + E + \sigma_\infty E \leq \hat{W}$ (cf. (24)). This contradicts the definition of Θ and hence we conclude that $\Theta \geq (k_0 - 1)\tau$.

If $\Theta \in [(k_0 - 1)\tau, k_0\tau)$, then, by (19) and (20) and the definition of \bar{E} in (21), it results that $|e(t)| < \bar{E}$ for all $t \in [t_0 - \tau, \Theta]$. With the same arguments as before, this contradicts the definition of Θ and hence we conclude $\Theta \geq k_0\tau$.

If $\Theta \in [k_0\tau, (k_0 + 1)\tau)$, by $\bar{E} > \bar{\eta}$ and (22), we get that $|e(t)| \leq \Lambda(\bar{E} + E)$ for all $t \in [k_0\tau, \Theta]$, again contradicting the definition of Θ . Hence we can conclude $\Theta \geq (k_0 + 1)\tau$.

If $\Theta = (k_0 + 1)\tau$, then by construction $q_{k_0+1} > 0$ and $|e((k_0 + 1)\tau)| \leq L((k_0 + 1)\tau) = \Lambda(\bar{E} + E) + E$, again contradicting the definition of Θ . Hence $\Theta > (k_0 + 1)\tau$.

The system properties established along the whole proof being uniform in time, we can set $t' = t - (k_0 + 1)\tau$ and apply the same arguments with new ‘‘initial’’ condition $L(0) = \Lambda(\bar{E} + E) + E$ until the next overflow. By reiterating for successive overflows, we conclude $\Theta = \infty$, which is enough to prove the claim.

8.3 Proof of Claim 2

The first line in (5), can be rewritten as

$$L(k\tau) = R^k L(0) + E(\Lambda + 1) \sum_{i=0}^k R^i < \tilde{L}(k\tau), \quad (27)$$

where $\tilde{L} : \mathbb{R}_{\geq 0} \rightarrow \mathbb{R}_{>0}$ is defined as

$$\tilde{L}(t) = R^{t/\tau} L(0) + E(\Lambda + 1) \sum_{i=0}^{\infty} R^i, \quad (28)$$

and $R := \Lambda/N < 1$ (cf. (15)).

If Λ is chosen appropriately to compensate for error divergences between sampling times, if no overflow occurs, then, recalling the definition of the maximum quantization error (6), for all $t \in [k\tau, (k + 1)\tau)$, $|e(t)| \leq \Lambda \frac{t - k\tau}{\tau} \left(\frac{L(k\tau)}{N} + E \right)$. Substituting (27) in the this equation, we obtain that, for all $t \in [k\tau, (k + 1)\tau)$,

$|e(t)| \leq \left(\frac{\Lambda}{N}\right)^{t/\tau} L(0) + \frac{\Lambda^{t-k\tau}}{N} E(\Lambda + 1) \sum_{i=0}^k \left(\frac{\Lambda}{N}\right)^i + \Lambda E < \tilde{L}(t)$. Recalling finally that the geometric series in the definition of \tilde{L} (28) converges, $\sum_{i=0}^{\infty} \left(\frac{\Lambda}{N}\right)^i = \frac{N}{N-\Lambda}$, this finishes to establish Claim 2 by recalling the definition of σ_{∞} in (23) and by noticing that the error can only decrease at the sampling times.

8.4 Proof of Theorem 3

The proof follows along the same lines as that of Theorem 1. The difference stands in the fact that Λ can no longer be chosen arbitrarily. Instead, given any $\tau > 0$, we define $\Lambda = e^{\mathcal{L}(\hat{W})\tau}$, where \hat{W} is defined as before (cf. (24)). Note that Λ enters the definition of \hat{W} , in particular \hat{W} and $\mathcal{L}(\hat{W})$ are both continuous increasing functions of Λ . Hence, Λ is required to satisfy the following two equations $\Lambda = e^{\mathcal{L}(\hat{W})\tau}$ and $\hat{W} = \hat{W}(\Lambda)$. This set of equations admits other solutions than the trivial one ($\Lambda = 1, \tau = 0$) provided that

$$\tau e^{\mathcal{L}(\hat{W}(\Lambda))\tau} \frac{d}{d\Lambda} \mathcal{L}(\hat{W}(\Lambda)) \Big|_{\Lambda=1} < 1.$$

By continuity of the equations in τ and Λ , we conclude that there exists $\tau_{\max} > 0$ such that a solution exists for all $\tau \in (0, \tau_{\max})$. The rest of the proof follows that of Theorem 1.

REFERENCES

- A. Isidori (1999). *Nonlinear control system II*. Springer Verlag.
- Freeman, R. A. and Kokotovich, P. V. (1993). Global robustness of nonlinear systems to state measurement disturbances. *IEEE 32nd Conference on Decision and Control*, pages 1507–1512.
- Hespanha, J. P., Naghshtabrizi, P., and Xu, Y. (2007). A survey of recent results in networked control systems. *Proceedings of the IEEE*, 95:138–162.
- Jaglin, J., de Wit, C. C., and Siclet, C. (2008). Delta modulation for multivariable centralized linear networked controlled systems.
- Jaglin, J., de Wit, C. C., and Siclet, C. (2009). Adaptive quantization for linear systems. *Submitted to IEEE Conf. on Decision and Control 2009*.
- Jiang, Z. P., Teel, A., and Praly, L. (1994). Small gain theorems for ISS systems and applications. *Math. of Cont. Sign. and Syst.*, 7:95–120.
- Kameneva, T. and Nešić, D. (2008). Input-to-state stabilization of nonlinear systems with quantized feedback. In *Proc. 17th. IFAC World Congress*, pages 12480–12485.
- Liberzon, D. (2003). On stabilization of linear systems with limited information. *IEEE Trans. on Automat. Contr.*, 48(2):304–307.
- Liberzon, D. (2009). Nonlinear control with limited information. Roger Brockett legacy special issue. *Communications in Information Systems*, 9:44–58. Available at: <http://decision.csl.uiuc.edu/liberzon/research/legacy.pdf>.
- Liberzon, D. and Hespanha, J. P. (2005). Stabilization of nonlinear systems with limited information feedback. *IEEE Trans. on Automat. Contr.*, 50:910–915.
- Liberzon, D. and Nešić, D. (2007). Input-to-state stabilization of linear systems with quantized state measurements. *IEEE Trans. on Automatic Control*, 52:767–781.
- Montestruque, L. A. and Antsaklis, P. (2004). Stability of model-based networked control systems with time-varying transmission times. *IEEE Trans. on Automat. Contr.*, 49(9):1562–1572.
- Nair, G. N. and Evans, R. J. (2004). Stabilizability of stochastic linear systems with finite feedback data rates. *SIAM J. Control Optim.*, 43(2):413–436.
- Nair, G. N., Fagnani, F., Zampieri, S., and Evans, R. J. (2007). Feedback control under data rate constraints: An overview. *Proc. of the IEEE*, 95(8):108–137.
- Persis, C. D. and Isidori, A. (2004). Stabilizability by state feedback implies stabilizability by encoded state feedback. *System & Control Letters*, 53:249–258.
- Petersen, I. R. and Savkin, A. V. (2001). Multi-rate stabilization of multivariable discrete-time linear systems via a limited capacity communication channel. *Proc. 40th IEEE Conf. on Decision and Control*.
- Praly, L. and Wang, Y. (1996). Stabilization in spite of matched unmodelled dynamics and an equivalent definition of input-to-state stability. *Math. of Cont. Sign. and Syst.*, 9:1–33.
- Sharon, Y. and Liberzon, D. (2007). Input-to-State Stabilization with minimum number of quantization regions. pages 20–25.
- Sharon, Y. and Liberzon, D. (2008). Input-to-State Stabilization with quantized output feedback. pages 500–513.
- Sontag, E. and Wang, Y. (1995). On characterizations of the Input-to-State Stability property. *Syst. & Contr. Letters*, 24:351–359.
- Teel, A. and Praly, L. (1998). On assigning the derivative of a disturbance attenuation cfl. *Proc. 37th. IEEE Conf. Decision Contr.*, 3:2497–2502.